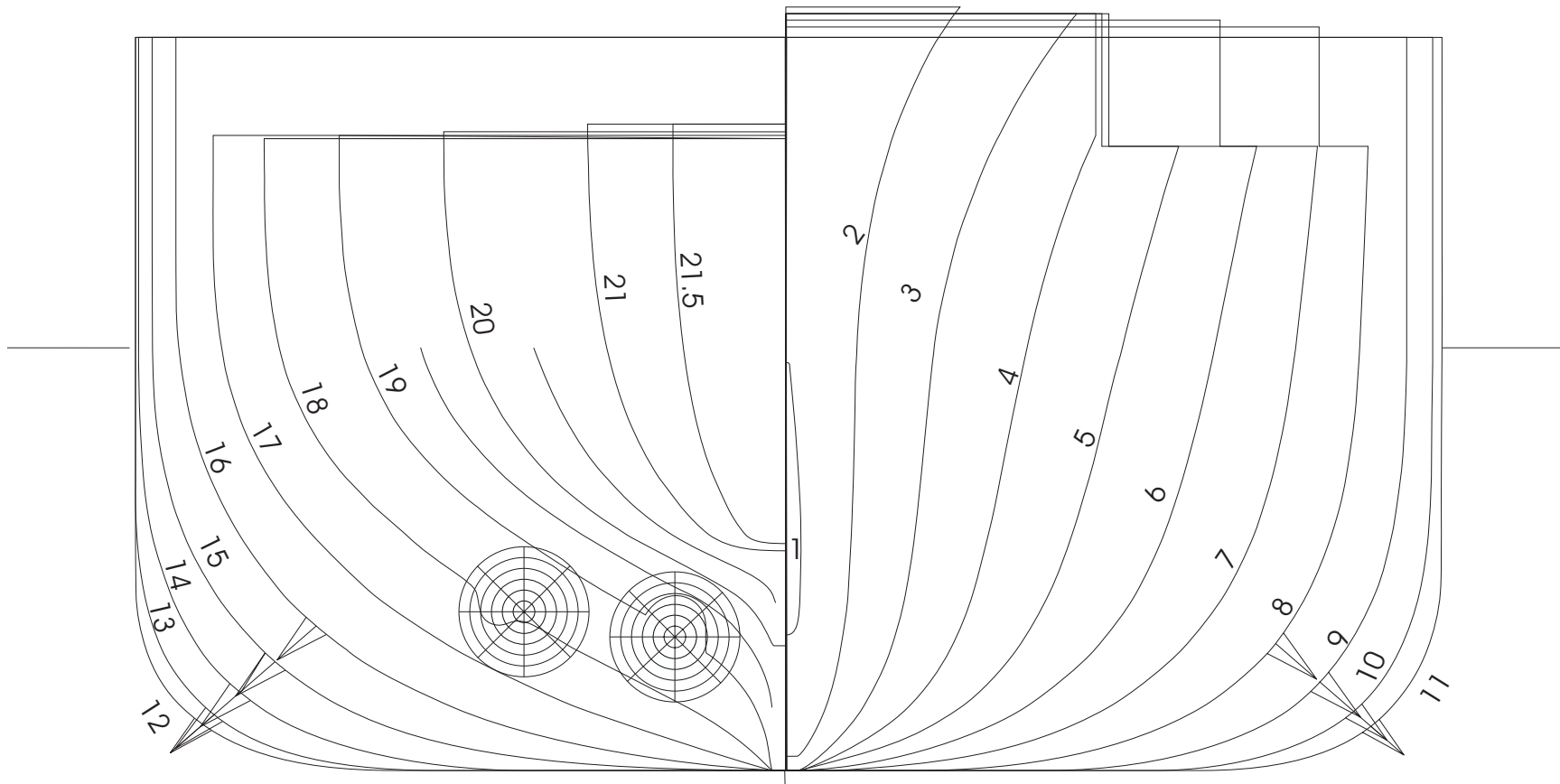
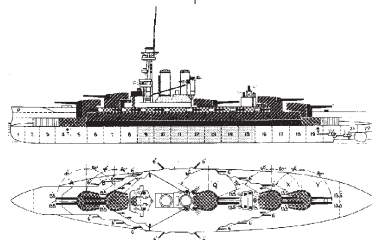


H. M.
FIRST CLASS BATTLESHIP
“ERIN”



PRINCIPAL DIMENSIONS

LENGTH BP 525'-0"
BREADTH 91'-3"
DRAFT 28'-6"
DISPLACEMENT 22934 TONS



ARMAMENT: 10 x 13.5in 45cal MK VI (5 x 2)
16 x 6in (16 x 1), 6 x 6 pounder (6 x 1)
2 x 3in (2 x 1), 4 x 21 in TT
SPEED: 21kts.